

Itowa

Radio Remote Control Systems

HANITO
Crane scale



THE MOST PRECISE, LIGHT ALTERNATIVE

HANITO electronic dynamometers are autonomous weighing hooks for cranes, hoists, fork-lift trucks and all types of weighing.

Its compact and reliable design combined with the latest technology, offers high precision and reliability, eliminating the effects of swaying, side twisting, etc.



HANITO

Crane scale



Precision and Reliability: The HANITO weighing hook is designed with the latest technology, guaranteeing high precision, reliability and stability in weighing, even in adverse conditions, such as swaying, etc. To eliminate the effects of side twisting, the hook has a fitted bearing.

Functional and practical: It has a high definition and low consumption LCD display. It operates with batteries for up to 90 hours. It can also be optionally supplied with rechargeable batteries and the corresponding charger.

Accessories: The unit also has other accessories designed for easy user handling, such as a container box to transport it and an oversized shackle to reduce height.



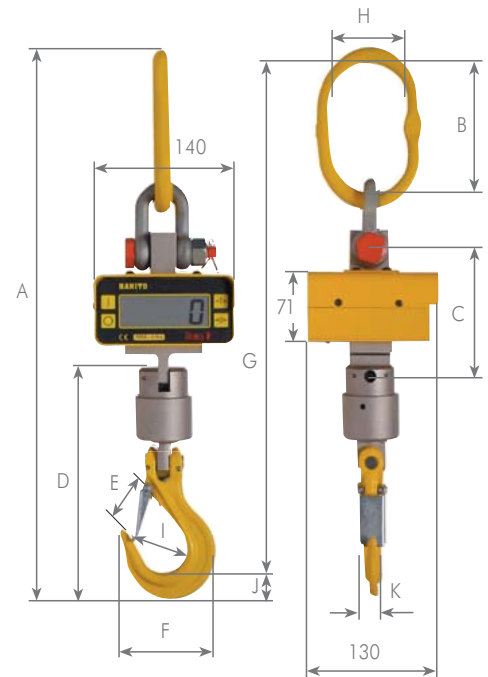
AMPI

TECHNICAL DESCRIPTION Hanito

Precision	±0,1% of rated capacity (1:1000)
Maximum error	300 kg: 0,3 kg
	600 kg: 0,6 kg
	3.000 kg: 3 kg
	5.400 kg: 6 kg
Sub-divisions	300 kg: 0,1 kg
	600 kg: 0,2 kg
	3.000 kg: 1 kg
	5.400 kg: 2 kg
Operating temperature	-10 °C to 50 °C / 14 °F to 122 °F
Digital display	LCD 4 digits
Digit size	1 inch / 25,4 mm
Indicators	Low battery / Tare / Overload on LCD display
Power requirements	6 alkaline batteries 1'5 V LR6 (size Mignon; AA)
Alternative power supply	6 rechargeable Ni-Cd batteries 1'2 V type R6 (size Mignon; AA; Capacity : 700 mAh)
Operating voltage range	6V to 9V
Casing material	Steel 2 mm, oven-enamelled with Epoxi paint Protection rating IP-55

LOAD CELL

Safe overload limit	125 % of corresponding dynamometer weight
Maximum overload limit	300 % of corresponding dynamometer weight
Operating temperature	- 10 °C to + 50 °C / 14 °F to 122 °F
Number of steps	3000
Protection rating	IP67 (DIN 40050)
Material	Hard anticorrosive nickel plated alloy steel



Dimensions in mm	A	B	C	D	E	F	G	H	I	J	K	Kg
Hanito 300 /600 kg	560	120	129,6	240	40	100	514	70	34	30	24	7,5
Hanito 3.000 Kg	578	120	129,6	240	40	100	516	70	34	30	24	7,5
Hanito 5.400 Kg	720	150	149	310	50	135	660	90	45	38	30	12,5



Itowa
Radio Remote Control Systems

Faraday, 159 - 08224 TERRASSA (Barcelona) SPAIN
Tel. +34 93 733 98 50 - Fax +34 93 789 13 51
<http://www.itowa.com> - e-mail: info@itowa.com